

NGX Wiring

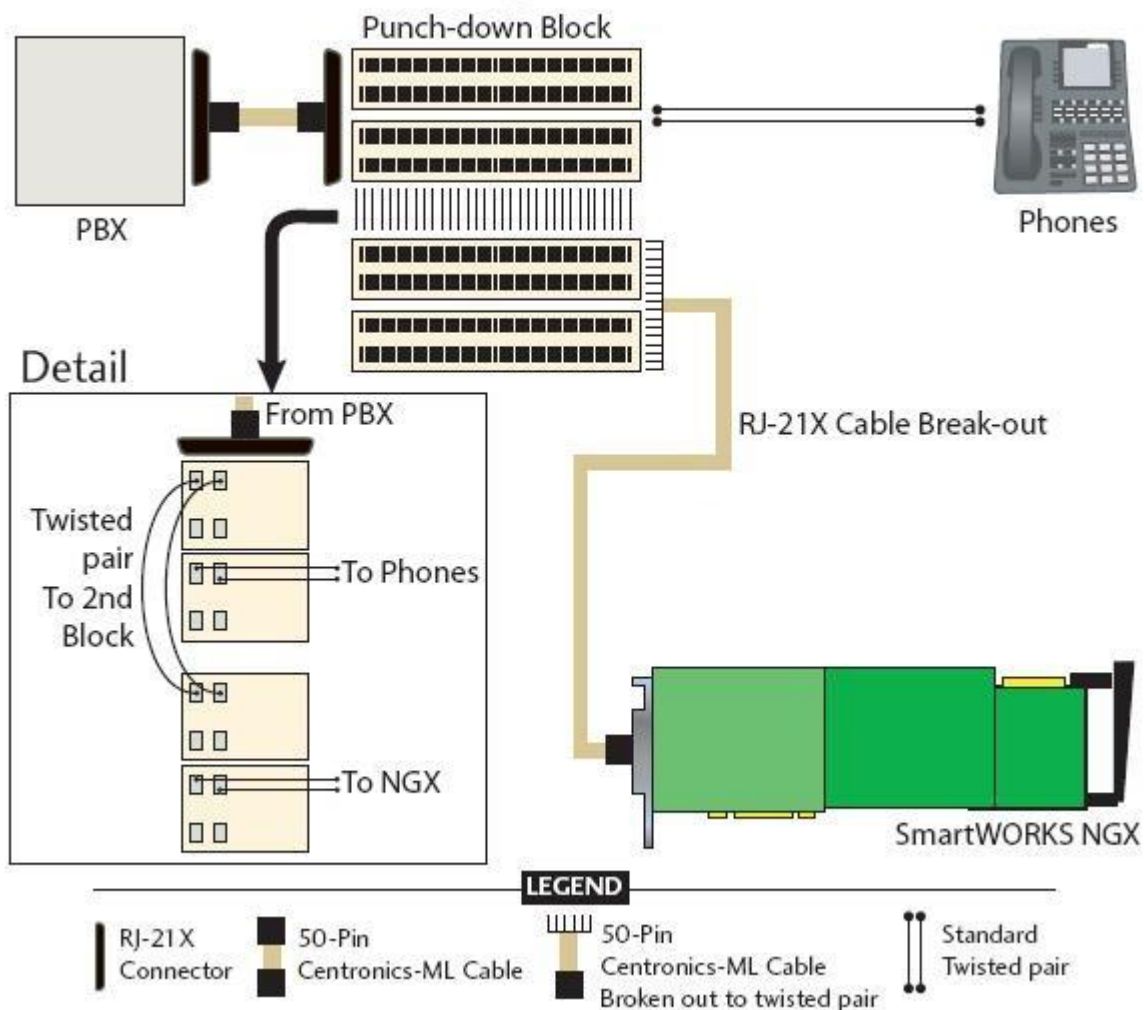
For all 8-24 digital NGX cards the following wiring examples can be used. When dealing with an 8 or 16 port, you MUST use the first 8 (or 16) pairs of the 25 pair cable.

The preferred method is use cross connects to a third BIX (labeled blueC), which has an amphenol connected to the blueC server. In this setup the wire will run from the phone, through a "BlueC" bix, then into the PBX bix. From the BlueC bix there will be an Amphenol cable wired up going to a **male end**.

BlueC will then provide a 6' amphenol with female end which fits in nicely with the NGX card. On a 24-port card, you will use the first 24 pairs of the amphenol and not the last one.

A list of the order that the extensions were wired up in is required by the customer, or the blueC team, for our database entries.

SmartWORKS NGX Wiring Solution # 2: Dual Punch Blocks



Please note: Wiring team to provide the initial amphenol **male end** cable, long enough to be within 6' of the BlueC server. BlueC to provide 6' T-Connector amphenol with female end.